



Outdoor 4-port PoE Switch

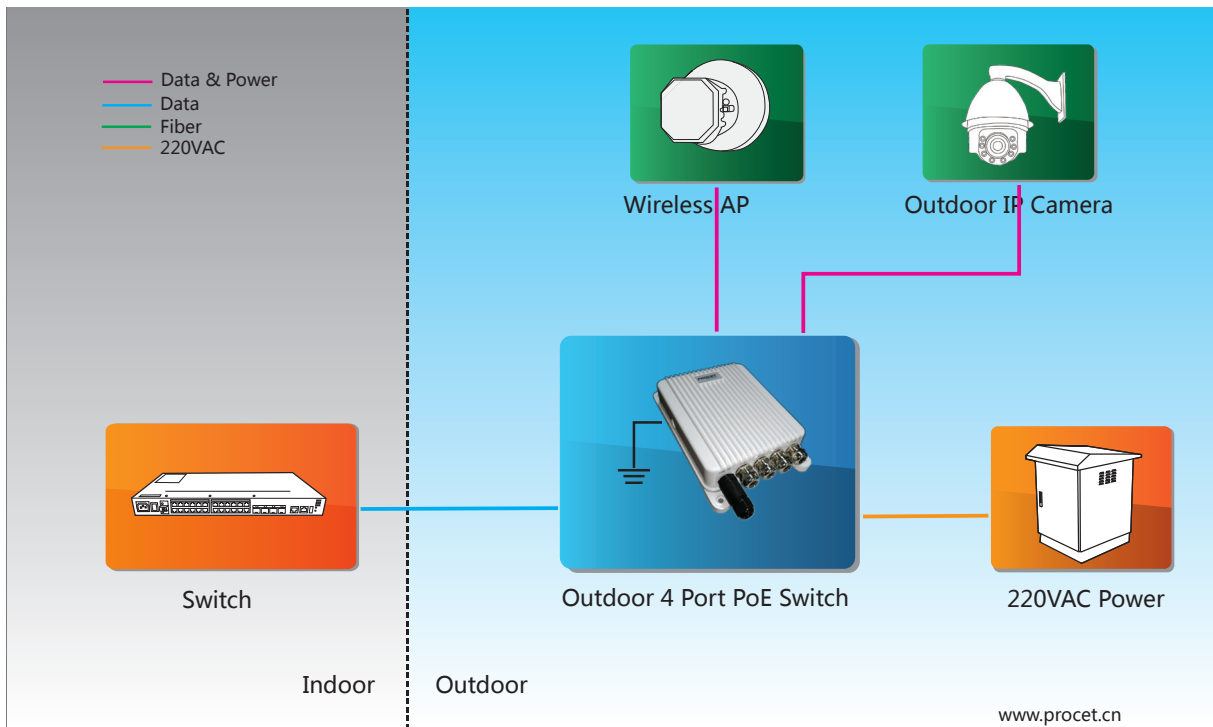
PT-POS401GR-OT

Introduction

PT-POS401GR-OT is a high power lightning-protection PoE switch with 1 LAN port and 3 PoE ports. special designed for outdoor using. It provides 55VDC, 30W power each port for remote PD, 6KV(10/700us) surge protection. The work temperature is -40℃ to 65℃ with metal casing, and support 10/100/1000Mbps. It provides power for IEEE802.3af/at terminal high-power equipment, such as wireless AP, network camera and VoIP phone.

PT-POS401GR-OT works well outdoor during input voltage 100-240VAC. It is connected to network equipment through Cat5e cable.

Work Functional Picture



1. Install Hole
2. AC Power Input Port
3. PoE Power Output Port 1
4. PoE Power Output port 2



5. PoE Power Output port 3
6. LAN Port(Data Input)
10. GND
- 7,8,9. Install Hole

Key Features

- Outdoor using, 1LAN port, 3 PoE ports
- Output 55V, current 550mA, power 30W for each port
- Power pins: 4/5(+), 7/8(-)
- Provide signal and PoE output, lightning protection 6KV
- Wide temperature design: -40℃ to +65℃
- Metal casing, waterproof, dustproof, IP67
- Sealing gasket past extension, bearing, corrosion, aging test
- Easy install with install hole, no need to open equipment
- Provide power for IEEE802.3af/at compliant terminal equipment

Specification

Standard

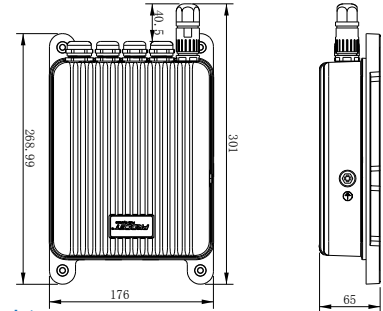
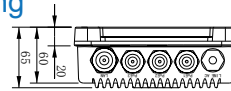
- IEEE802.3 10Base-T Ethernet
- IEEE802.3u 100Base-Tx Fast Ethernet
- IEEE8.2.3ab 1000Base-T Gigabit Ethernet
- Support PD with IEEE802.3af/IEEE802.3at standard
- RoHS Compliant
- WEEE Compliant, CE/FCC
- FCC Part 15, Class B
- EN 55022 Class B
- MTBF: 100,000h.@25℃
- Protection Level: IP67, IEC60529, NEMA 250

PoE Power Output

- Port No.: 3
- Ethernet Pins: 4/5(+),7/8(-)
- Data rate: 10/100/1000Mbps
- Output voltage: 55V
- Output current: 550mA
- Input AC voltage: 100-240VAC
- Input AC current: 2A@ 100-240VAC
- AC Hz: 50-60Hz

Outline Drawing

Unit: mm



Dimension & Weight

- Dimension: 176mm X 269mm X 65mm
- Weight : 1.8kg

Environmental & Conditions

- Operating Temperature: -40℃ to +65℃
- Operating Height: -304.8meters to 3048meters
- Operating Humidity: Maximum 90%, Non-condensing

AC Input Surge Protection

- 6KV

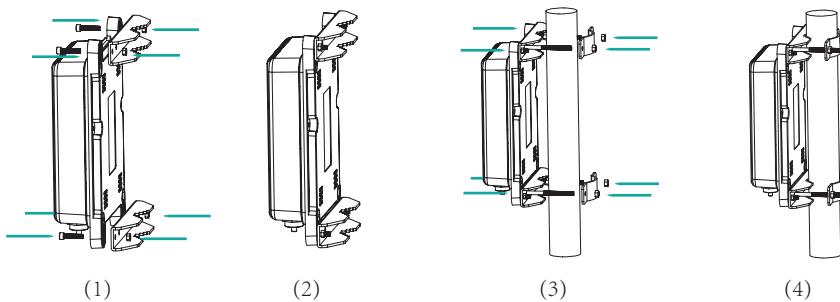
Network signal protection

- Protected pins: 1, 2, 3, 4, 5, 6, 7, 8
- Line - Earth(10/700us): 6KV

PoE power output surge protection

- Protected pins: 1, 2, 3, 4, 5, 6, 7, 8
- Line - Earth(10/700us): 6KV

MBK Installation Structure



Ordering Info: PT-PSE401GR-OT
PT-POT-MBK

55VDC/30W/1000M/Outdoor IP67/Surge Protection
Outdoor installation kit

Product packing: PT-POS401GR-OT x 1
Product manual x 1