



Standard Gigabit Single-port PoE

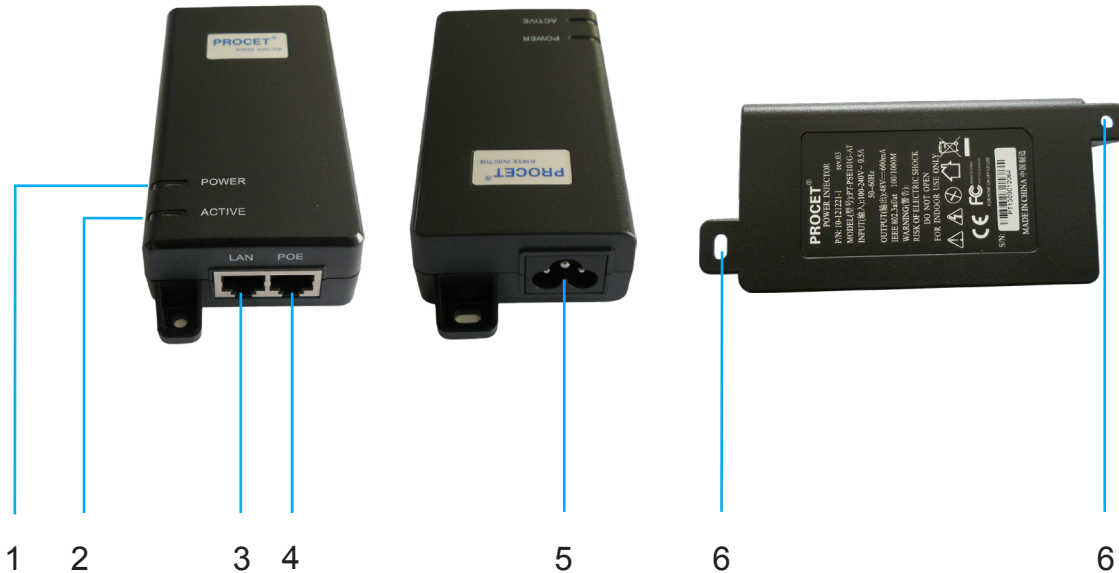
PT-PSE101G-AT

Introduction

PT-PSE101G-AT is the single-port AT standard PoE midspan, with AT chip inside. The output voltage 55VDC/550mA, output power 30W.

Support IEEE802.3af/IEEE802.3at PD, Support no power for non-standard PD. It provide power for indoor wireless AP, network camera, Ip phone etc.

PT-PSE101G-AT with AT chip inside and only supply power for standard PD. It is adapted to use indoor, and work properly with input voltage 100VAC~240VAC. This power supply connected to other network PD by CAT5e, and the effective distance is 100M. It can be extended to 400 meters by PoE extender.



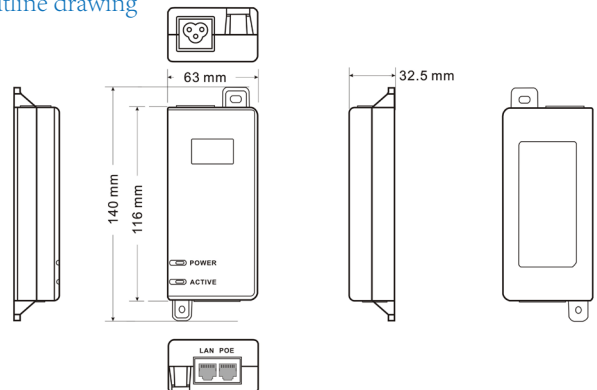
- 1. Power instruction
- 2. Load activations instruction
- 3. Data input port

- 4. PoE power output
- 5. AC power input
- 6. Mounting holes

Main specification

- Detect the PD if standard before supply power
- Output power: 30W
- Output current: 550mA
- Power Pin: 4/5(+), 7/8(-)
- Small size, high-power, lower cost
- Support power for IEEE802.3af/IEEE802.3at PD

Outline drawing



Specifications

Standards

- IEEE802.3 10Base-T Ethernet
- IEEE802.3u 100Base-Tx Fast Ethernet
- Support 10/100/1000Base-T LAN
- Support IEEE802.3af/IEEE802.3at PD
- RoHS Compliant
- WEEE Compliant,CE/FCC
- FCC Part 15,Class B
- EN 55022 Class B
- MTBF:100,000 h@25℃

PoE power output

- Ethernet Pin Power: 3/6(+),1/2(-)
- Data Rate: 10/100/1000Mbps
- Output power: 55VDC
- Output current: 550mA
- Input voltage: 100-240VAC
- Input current: 1.0A@100-240VAC
- AC Hz: 50-60Hz

Size&Weight

- Size: 140mm * 63mm* 32.5mm
- Weight: 200g

LED instructions

- AC power LED: GREEN
- ACTIVE Load LED: GREEN (DETECTION)
BLUE (LOAD)

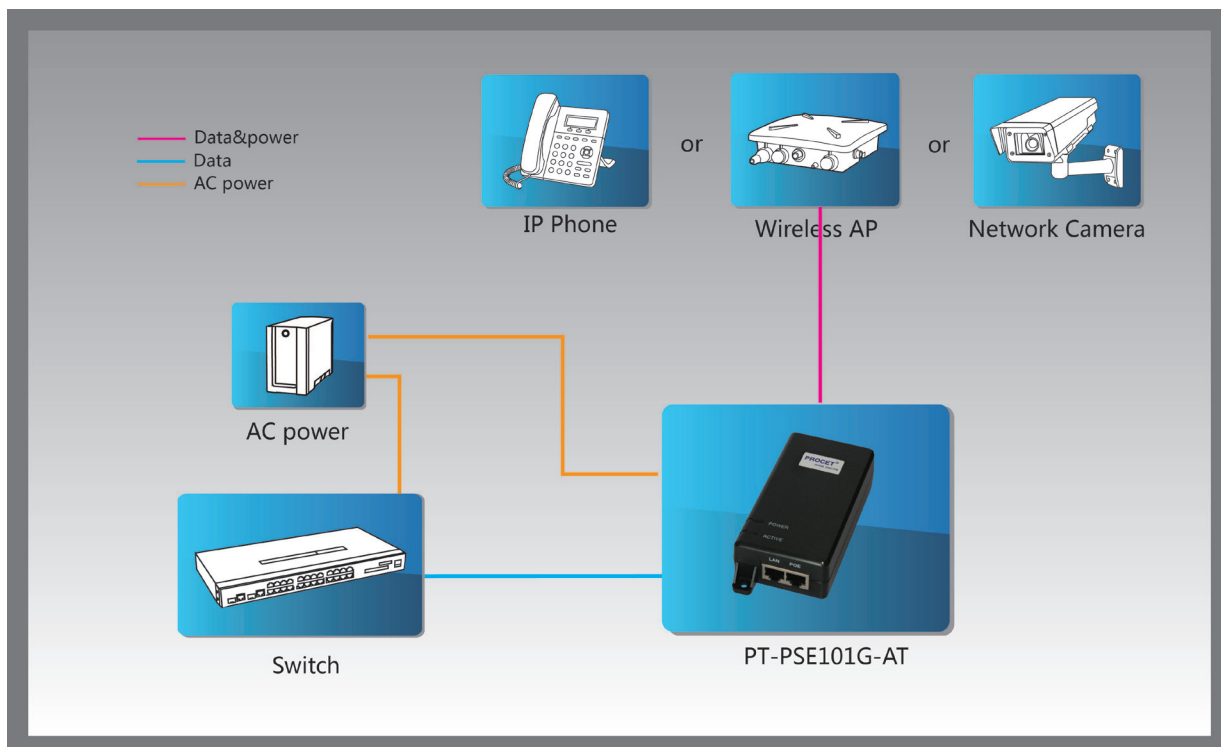
Working Environment

- Temperature: -5 to 45 C
- Height: -304.8 meter to 3048 meters
- Humidity: Max to 90%, non-condensation

AC Surge Protection

- 1.5KA(8/20us)
- 3KV(1.2/50us)

Work functional picture



Order info. PT-PSE101G-AT 55VDC/550mA/1000M/(4/5+, 7/8-)

Package info. PT-PSE101G-AT * 1
Power cable * 1
User Manual *1