



Outdoor 1-port 95W PoE Injector

PT-PSE108GRB-OT

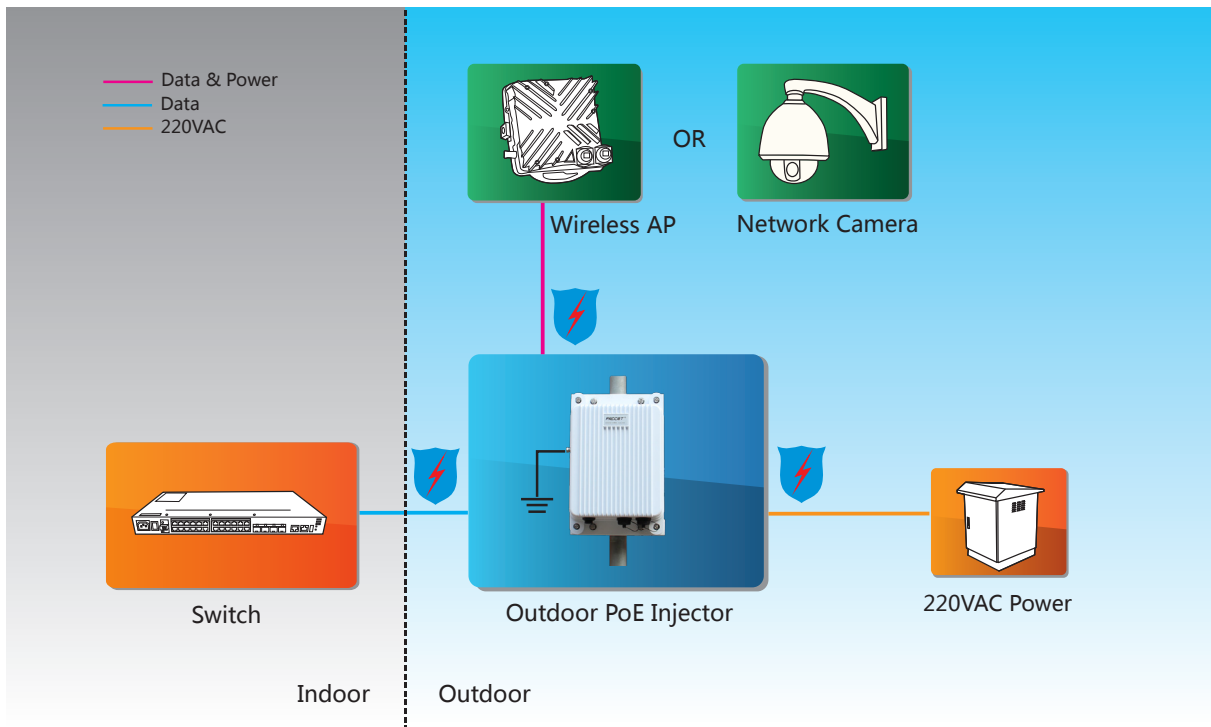
Introduction

PT-PSE108GRB-OT is a 95W 1-port lightning protection PoE injector special for outdoor using. It provides 55VDC, 95W power for remote PDs over full 4-pairs output. It support 6KV(10/700us) surge protection, and work temperature range is -40 C to 65 C with metal casing, and it supports 10/100/1000Mbps.

It provides power for IEEE802.3af/at, PoE++ standard terminal outdoor high power network camera, APs.

PT-PSE108GRB-OT designed for outdoor using,with input voltage 100-240VAC. It is connected to network equipment through Cat6 cable. The effective distance is 100 meters.

Work Functional Picture



- 2. AC Input Port
- 3. LAN Data Input Port
- 4. PoE Power Output Port



- 8. GND
- 1,5,6,7. Install Hole

Key Features

- Outdoor using, detect PD before provide power
- Output 55V,current 1.75A, power 95W
- Power pins:4/5(+),7/8(-) and 3/6(+),1/2(-)
- Provide signal and PoE output, lighting protection 6KV
- Wide temperature design: -40 C to +65 C
- Metal casing, waterproof, dustproof, IP67
- Sealing gasket past extension,bearing,corrosion,aging test
- Easy install with install hole, need not to open equipment
- provide power for IEEE802.3af/at terminal equipment .

Specification

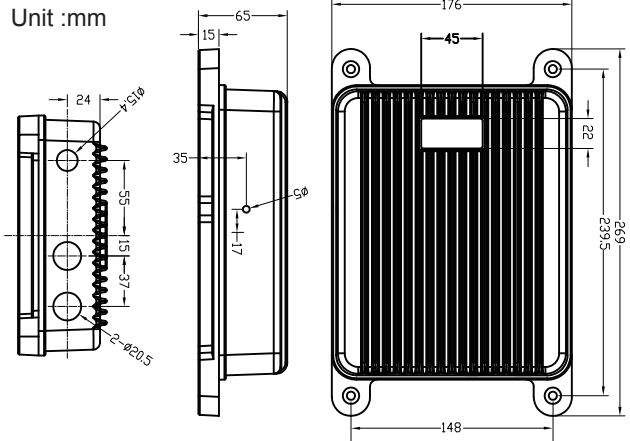
Standards

- IEEE802.3 10Base-T Ethernet
- IEEE802.3u 100Base-Tx Fast Ethernet
- IEEE8.2.3ab 1000Base-T Gigabit Ethernet
- Support terminal equipment with IEEE802.3af/IEEE802.3at
- RoHS Compliant
- WEEE Compliant,CE
- EN 55022 Class B
- Protection Level: IP67, IEC60529, NEMA 250

PoE Power Output

- Port No.: 1
- Ethernet Pins: 4/5(+),7/8(-) & 3/6(+),1/2(-)
- Data rate: 10/100/1000Mbps
- Output voltage: 55V
- Output current: 1.75A
- Input AC voltage: 100-240VAC
- Input AC current: 2.0A@ 100-240VAC
- AC Hz: 50-60Hz

Outline Drawing



Dimension & Weight

- Dimension: 176mm X 269mm X 65mm
- Weight: 1.9kg

Environmental & conditions

- Operating Temperature: -40 °C to +65 °C
- Operating Height: -304.8meters to 3048meters
- Operating Humidity: 5% to 100% (non-condensing)

AC input surge protection

- 6KV

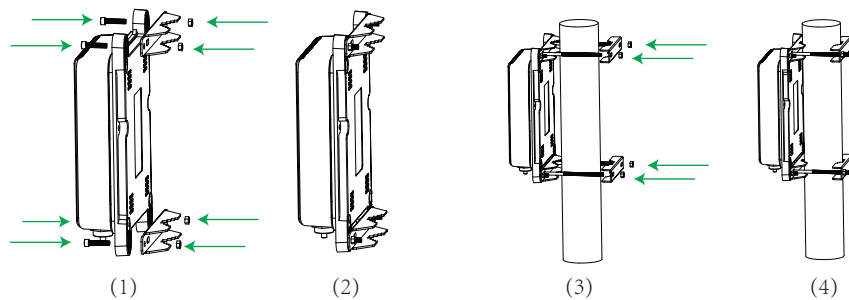
Network signal protection

- Protected Line:1,2,3,4,5,6,7,8
- Common-mode surge protection(10/700us): 6KV

PoE power output surge protection

- Different-mode surge protection(10/700us): 6KV
- Power clamp voltage(4,5-7,8): 60VDC

MBK Installation Structure



Ordering Info: PT-PSE108GRB-OT 55VDC Output/95W/1000M/Outdoor IP67/Surge Protection/Active

Product packing: PT-PSE108GRB-OT x 1
Product manual x 1