



Outdoor 1-port 60W PoE Injector

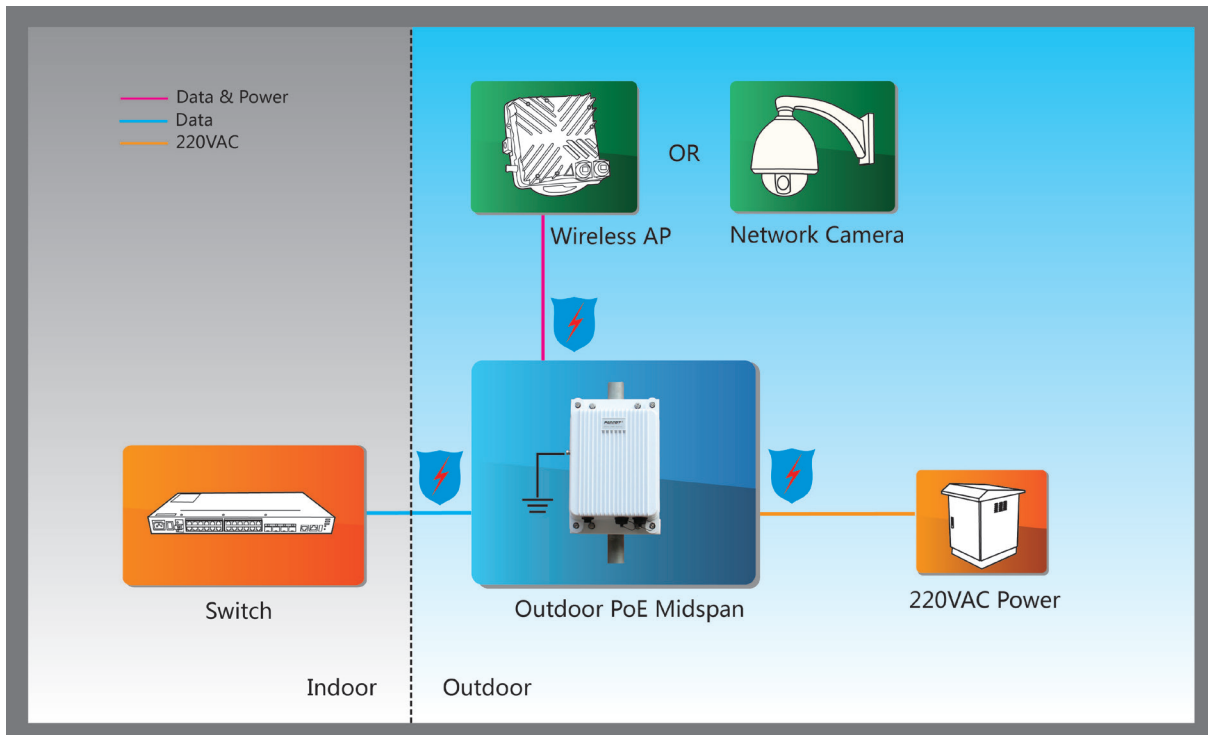
PT-PSE108GRW-OT

Introduction

PT-PSE108GRW-OT is a 60W single-port lightning-protection high power PoE injector special designed for outdoor using. It provides 55VDC, 60W power for remote PD, with 8-line signals output and 6KV (10/700us) surge protection. The work temperature is -40 C -65 C with metal casing, and support 10/100/1000Mbps. It provides power for IEEE802.3af/at terminal high-power equipment, such as wireless AP, network camera and VoIP phone.

PT-PSE108GRW-OT works well outdoor during input voltage 100-240VAC. It is connected to network equipment through Cat5e cable. The effective distance is 100 meters, it can work longer to 400 meters with adding PoE extender.

Work Functional Picture



- 2. AC Input Port
- 3. LAN Data Input Port
- 4. PoE Power Output Port



- 8. GND
- 1,5,6,7. Install Hole

Key Features

- Outdoor using, detect PD before provide power
- Output 55V,current 1.1A,power60W
- Power pins:4/5(+),7/8(-) and 3/6(+),1/2(-)
- Provide signal and PoE output, lighting protection 6KV
- Wide temperature design:-40 ℃ to +65 ℃
- Metal casing,waterproof,dustproof,IP67
- Sealing gasket past extension,bearing,corrosion,aging test
- Easy install with install hole, need not to open equipment
- Provide power for IEEE802.3af/at terminal equipment .

Specification

Standards

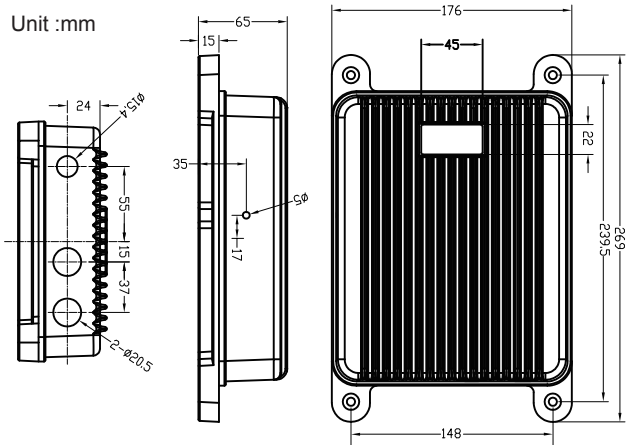
- IEEE802.3 10Base-T Ethernet
- IEEE802.3u 100Base-Tx Fast Ethernet
- IEEE8.2.3ab 1000Base-T Gigabit Ethernet
- Support terminal equipment with IEEE802.3af/IEEE802.3at
- RoHS Compliant
- WEEE Compliant,CE/FCC
- FCC Part 15,Class B
- EN 55022 Class B
- Protection Level: IP67, IEC60529, NEMA 250

PoE Power Output

- Port No.: 1
- Ethernet Pins: 4/5(+),7/8(-) and 3/6(+),1/2(-)
- Data rate: 10/100/1000Mbps
- Output voltage: 55V
- Output current: 1.1A
- Input AC voltage: 100-240VAC
- Input AC current: 1.5A@ 100-240VAC
- AC Hz: 50-60Hz

Outline Drawing

Unit :mm



Dimension & Weight

- Dimension: 176mm X 269mm X 65mm
- Weight: 1.8kg

Environmental & conditions

- Operating Temperature: -40 ℃ to +65 ℃
- Operating Height: -304.8meters to 3048meters
- Operating Humidity: 5% to 100% (non-condensing)

AC input surge protection

- 6KV

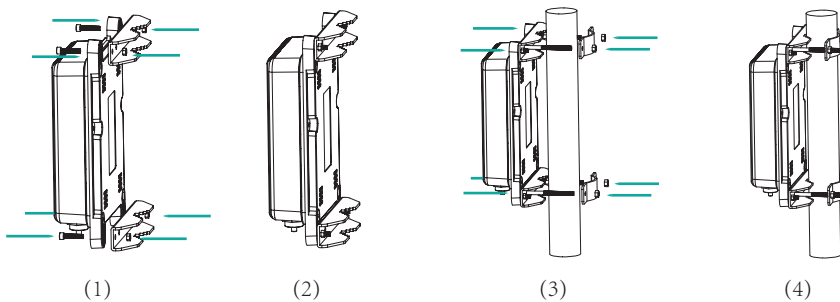
Network signal protection

- Protected pins: 1, 2, 3, 4, 5, 6, 7, 8
- Line - Line(10/700us): 1.5KV
- Line - Earth(10/700us): 6KV

PoE power output surge protection

- Protected pins: 1, 2, 3, 4, 5, 6, 7, 8
- Line - Line(10/700us): 1.5KV
- Line - Earth(10/700us): 6KV

MBK Installation Structure



Ordering Info: PT-PSE108GRW-OT
PT-POT-MBK

55VDC Output/60W/1000M/Outdoor IP67/Surge Protection/Active
Outdoor installation kit

Product packing: PT-PSE108GRW-OT x 1
Product manual x 1